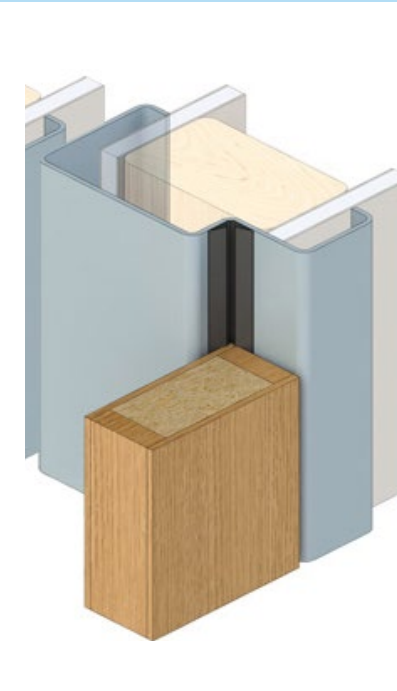
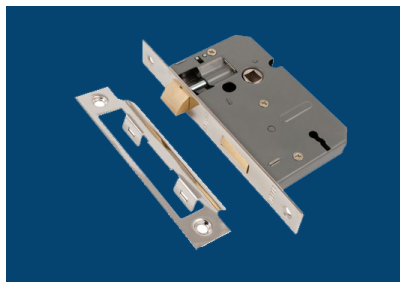


instock

The Ironmongery Experts

Fire Seals, Vents, Finger Guard





Fire & Smoke Seals

Fire Protection Products

Our fire intumescent strips, protection sheets, hinge pads and seals are manufactured to the UK to the highest standards.

Intumescent Strips, Protection sheets & Hinge Pads

Code	Size	Rating
------	------	--------

INTUMESCENT FIRE ONLY SEALS (SELF ADHESIVE)

Certifire approved, tested to BS476 part 22 and BS EN 1634-1

CODE	SIZE	COLOUR	RATING	PACK SIZE
FS104	10MM X 4MM X 2.1M	WHITE	FD30	100
FS103	10MM X 4MM X 2.1M	BROWN	FD30	100
FS115	15MM X 4MM X 2.1MM	BROWN	FD30/60	50
FS116	15MM X 4MM X 2.1MM	WHITE	FD30/60	50
FS130	20MM X 4MM X 2.1MM	BROWN	FD60	25
FS131	20MM X 4MM X 2.1MM	WHITE	FD60	25



INTUMESCENT FIRE & SMOKE SEALS (SELF ADHESIVE) GREY BRUSH

Certifire approved, tested to BS476 part 22 and BS EN 1634-1

CODE	SIZE	COLOUR	RATING	PACK SIZE
FS110	10MM X 4MM X 2.1M	WHITE	FD30	100
FS109	10MM X 4MM X 2.1M	BROWN	FD30	100
FS121	15MM X 4MM X 2.1MM	BROWN	FD30/60	50
FS122	15MM X 4MM X 2.1MM	WHITE	FD30/60	50
FS133	20MM X 4MM X 2.1MM	BROWN	FD60	25
FS134	20MM X 4MM X 2.1MM	WHITE	FD60	25



IRONMONGERY INTUMESCENT PROTECTION KITS

CODE	DESCRIPTION	RATING	PACK SIZE
SELF ADHESIVE HINGE PADS			
FS501/SA	100mmX31mm HINGE PADS	FD30/60	300
FS145/SA	100mmX31mm HINGE PADS RADIUS	FD30/60	300
FS189/SA	75mmX25mm HINGE PADS	FD30/60	300

LOCK KITS

CODE	DESCRIPTION	RATING	PACK SIZE
FS1270	BS SASHLOCK KIT & STRIKE	FD30/60	1
FS1273	BS DEADLOCK KIT & STRIKE	FD30/60	1
FS1274	UNIVERSAL DEADLOCK KIT & STRIKE	FD30/60	1
FS1283	UNIVERSAL TUBULAR LATCH KIT & STRIKE	FD30/60	1
FSDIN	DIN LOCK PROTECTION KIT	FD30/60	1

MISCELLANEOUS

CODE	DESCRIPTION	RATING	PACK SIZE
FS182	LEVER ACTION FLUSH BOLT 200MM FIRE KIT	FD30/60	1
FS1275/76	CONCEALED DOOR CLOSER KIT FIRE KIT	FD30/60	1
FS505	200mm X 200mm SHEET	FD30/60	1
FS319	CRYSTAL LENS DOOR VIEWER 200d WITH KIT	FD30/60	1

FIRE BLOCKS & GRILLES

CODE	DESCRIPTION	RATING	PACK SIZE
INT15	150 X 150 FIRE BLOCK WITH 2 ZINC GRILLES	FD30/60	1
INT30	150 X 300 FIRE BLOCK WITH 2 ZINC GRILLES	FD30/60	1
INT30/30	300 X 300 FIRE BLOXX WITH 2 ZINC GRILLES	FD30/60	1

PIPE COLLARS

CODE	DESCRIPTION	RATING	PACK SIZE
FS1510	110MM PIPE COLLAR	FD30/60	1





Fire Door Accessories

REDLAM MK2

Mark 2 version of the Redlam panic bolt is for inter-connecting emergency exit doors. It has the normal break tube operation on one side but can also be operated from the other by pushing a knob. •Includes, bolt, hammer and chain, Ceramic tube and fixing screws •Mark 2 version available for operation from both sides of door •Suitable for schools, swimming pools, industrial units, etc. •Length 165mm •Height 75mm •Depth 55mm •Ceramic tube dimensions length 127mm x diameter 17mm

Please note that the REDLAM MK1 IS DISCONTINUED

CERAMIC

Spare Ceramic Tubes for Redlams

REDKEY

Red Key Break Glass Boxes
Dimensions (Dia.xDepth): 120mmx33mm

SPAREGLASS

Replacement Glass for RedKey Boxes

REDLAMHAMMER

Spare Hammer Chain - Suitable for Redlams and REDKEY boxes



Louvre Vents



Louvre Grilles

Heavy Duty Satin Aluminium Louvre Grilles

1.2mm Aluminium
Suitable for outside and inside use
Can be painted
Supplied with Fixings

Standard Sizes

300x300
350x350
375x375
400x400
450x450
500x500
550x550
600x600



Raven Products offer a range of tested and Certified door and window sealing systems to contain energy, noise, fire and smoke. The range of products is expansive and offer solutions to most building projects. Most products can be sourced and shipped quickly.

The products listed below are just a small sample of the range covering the most popular items.



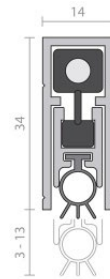
RP8si

A concealed, automatic door bottom seal that is spring loaded to lift clear of the floor when the door is opened. It is acoustically designed, featuring silicon gaskets for medium temperature smoke and fire door applications. Operated automatically by pressure against the door jamb on its adjustable strike. RP8Si can also be fitted into the bottom rail of a metal door by the fabricator. Has a level adjustment to achieve an optimum seal.

Location: Fully morticed into a 15mm x 34mm groove into the bottom of single and double butt hinged timber and metal doors.

Min/Max Gap: 3mm to 13mm.

Length
380mm
600mm
826mm
926mm
1070mm



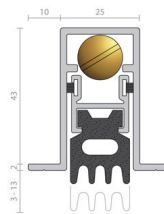
RP70si

A heavy duty, fully morticed, automatic door bottom seal that is spring loaded to lift clear of the floor when the door is opened. It is self levelling and reversible for left and right handed operation. Acoustically designed, featuring an EPDM foam gasket for acoustic door applications. RP70 is operated automatically by pressure against the door jamb on its adjustable brass strike.

Location: Fully morticed into the bottom of single and double butt hinged doors (minimum door thickness of 45mm). For double doors, plain meeting stiles are required.

Min/Max Gap: 3mm to 13mm.

Length
450mm
610mm
920mm
1070mm
1220mm



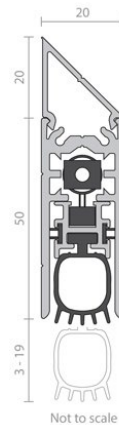
RP99si

A heavy duty, adjustable, automatic door bottom seal that is spring loaded to lift clear of the floor when the door is opened. Acoustically designed, with a silicon gasket for medium temperature smoke applications. Operated automatically by pressure on the door jamb or stop by its adjustable strike. Includes aluminium cover for concealed fixing for face mounted installation.

Location: Face mounted, semi-morticed or fully morticed into single and double solid core butt hinged doors. Can be fitted into the bottom rail of metal doors by the fabricator. Minimum door thickness of 40mm for semi and fully morticed installations. For double door fully morticed installations, plain meeting stiles required.

Min/Max Gap: 3mm to 19mm.

Length
380mm
600mm
720mm
820mm
920mm
1070mm



RP60si

An adjustable, automatic door bottom seal which is spring loaded to lift clear of the floor when the door is opened. Operated automatically by pressure against the door stop on its adjusting screw and incorporates concealed fixings. The RP60 is self levelling and can be used in conjunction with Raven threshold plates such as the RP13 and RP82.

Location: Face mounted on the bottom of single and double butt hinged doors.

Min/Max Gap: 3mm to 15mm.

Length
920mm





RP62 Heavy Duty Finger Guard

A safety strip which prevents fingers being jammed on the hinge side of a door. It is fixed to the door and the jamb on the hinged side.

Ideal choice for heavy duty commercial applications, schools and hospitals.

Sizes: 2100mm.



Item	Length
RP62	2100mm

Specify BLACK or WHITE when ordering



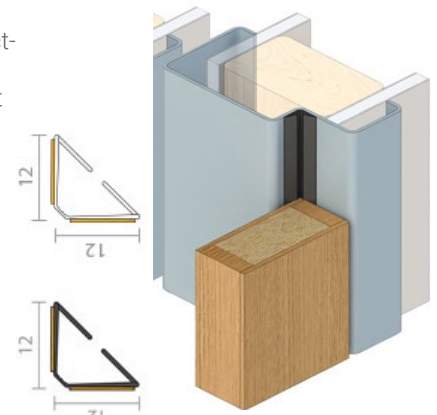
RP120 Delta Seal

RP120 is a co-extruded PVC acoustic smoke seal that is discreetly located in the protected corners of rebated timber or steel door and window frames. RP120 is now available in white as well as black to blend in with frames and is suitable for both new and retrofit projects.



Length
Kit 2x2.1 + 1 x 1m
Kit 3x2.1m

Specify BLACK or WHITE when ordering

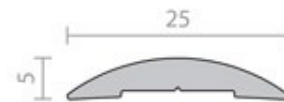


RP13 25mm Threshold Plate

A low profile threshold plate that is ideal for use in conjunction with Raven door bottom seals to prevent rain, draughts, noise and smoke infiltration.



Length
1000mm
2000mm

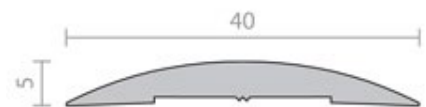


RP82 40mm Threshold Plate

A low profile threshold plate that is ideal for use in conjunction with Raven door bottom seals to prevent rain, draughts, noise and smoke infiltration.



Length
1000mm
2000mm

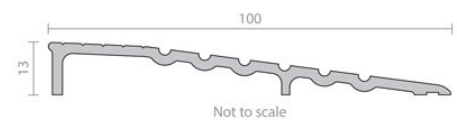


RP77 100mm Threshold Ramp Plate

A heavy duty threshold ramp with a ribbed design which can be positioned back to back to form a two way threshold ramp.



Length
1000mm
2250mm



For more information and technical data sheet for the full range of Raven Product please call the office or visit.

WWW.RAVEN.AU

